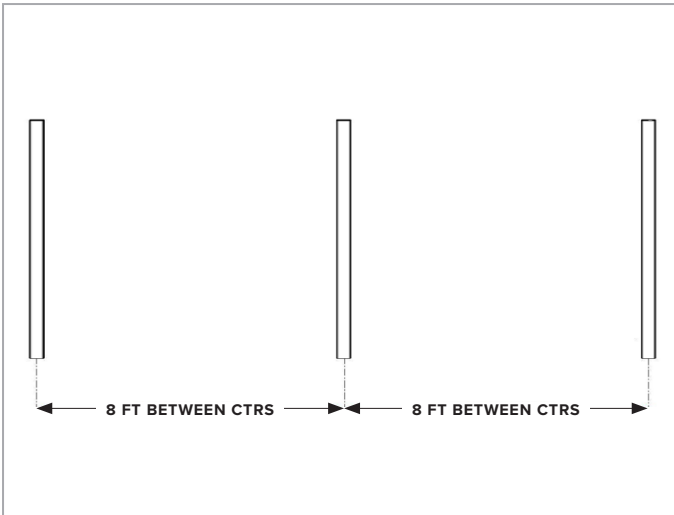


### TOOLS REQUIRED FOR INSTALLATION

- METAL TAPE MEASURE
- SPIRIT LEVEL
- PHILLIPS HEAD SCREWDRIVER BIT (FOR DRILL)
- CARPENTERS PENCIL
- POWER AND/OR CORDLESS DRILL
- TIMBER, MASONRY OR STEEL DRILL BITS (AS NEEDED)
- DROP SAW WITH SUITABLE BLADE FOR CUTTING ALUMINIUM (IF ADJUSTING HEIGHT OR WIDTH)



#### STEP 1 A) INLINE POST INSTALLATION

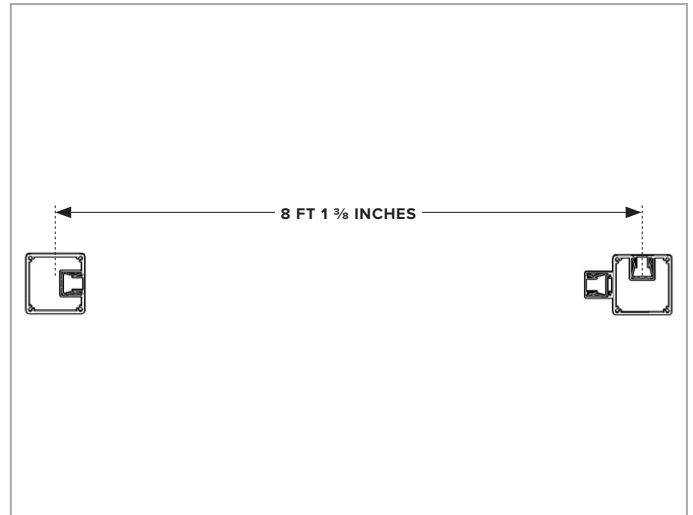
Set out posts and allow 8 feet\* from center to center, making sure that all posts are plumb in all directions.

*\*When using 7' 11" (2415mm) wide slat packs*

**Installation tip:** Panel width may be adjusted by cutting slats using appropriate aluminium cutting blade.

**FORMULA:**

**Adjusted slat width = Center to center of post MINUS 1" (25mm)**



#### STEP 1 B) CORNER POST INSTALLATION

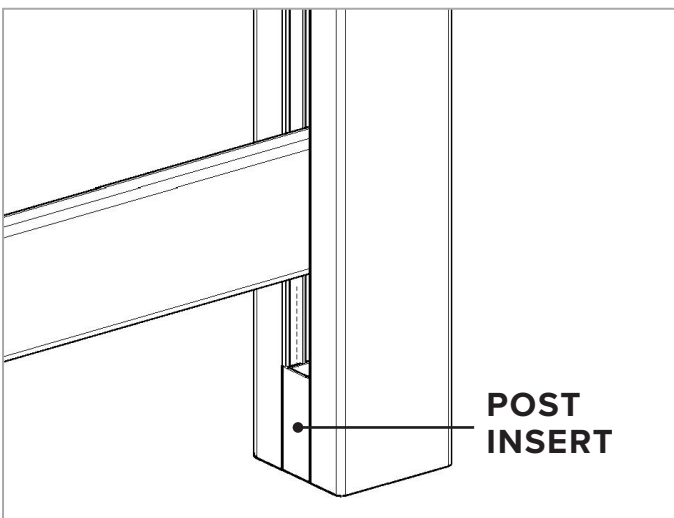
For corner post with side frame attached, allow 8 feet 1 3/8 inches center to center.

*\*When using 7' 11" (2415mm) wide slat packs*

**Installation tip:** Panel width may be adjusted by cutting slats using appropriate aluminium cutting blade.

**FORMULA:**

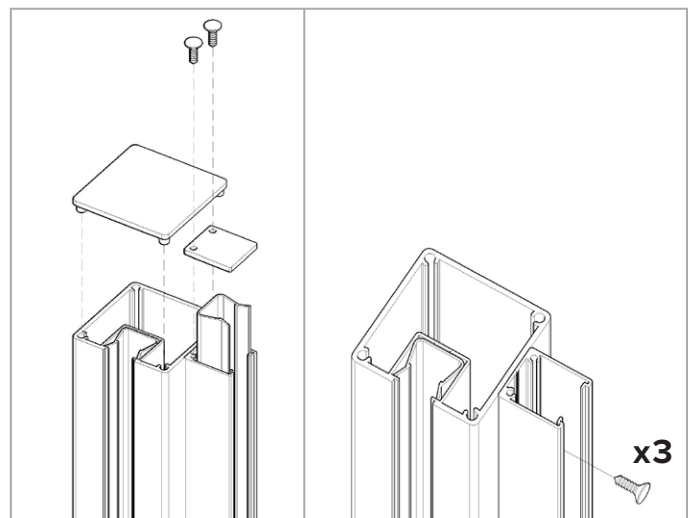
**Adjusted slat width = Center to center of post MINUS 2 1/4" (58mm)**



#### STEP 2

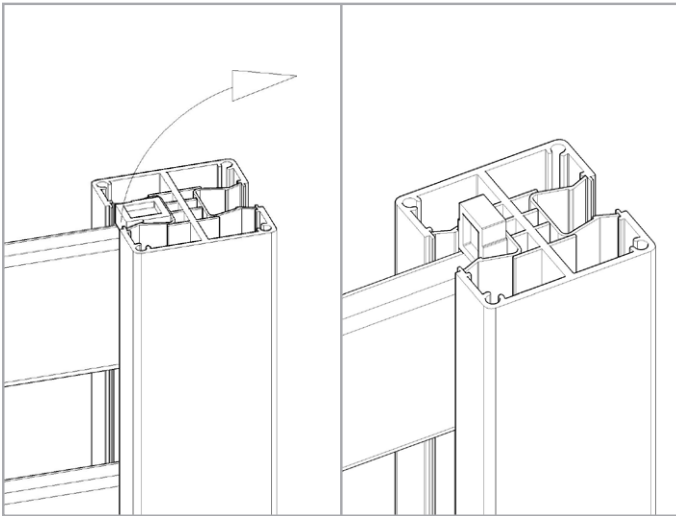
If setting the posts in the ground, place posts approximately a depth of 2 feet (**Height of post can be cut to desired height using appropriate cutting blade**).

Adjust the post insert to the height that you want the first slat to be off the ground before filling the post hole.



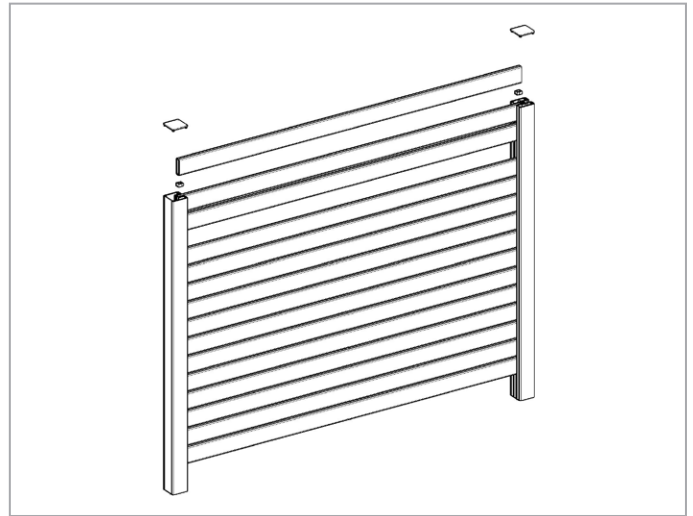
#### STEP 3

For the corner post, it is necessary to attach the side frame as shown. First, remove the end caps, followed by the inner u channel then attach the outer u channel to the post with the 3 wafer head screws supplied (affix at top, middle and bottom of channel).



### STEP 4

For  $\frac{3}{8}$  inch spacing, lay the spacer block flat. For  $\frac{13}{16}$  inch spacing, stand the spacer block on its end.



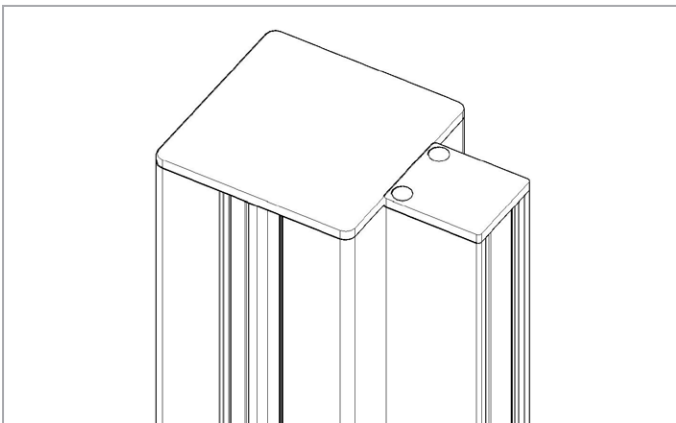
### STEP 5

Push slats down into side frame ensuring spacer blocks are placed between each slat.

**Install tip:** Place spacer block on bottom plate before pushing first slat down so that first slat sits on a spacer block.

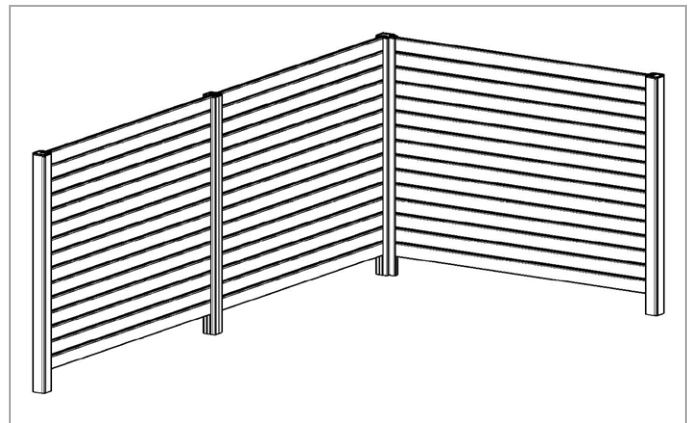
Spacer blocks supplied in kit allow slat spacing of  $\frac{3}{8}$  inch or  $\frac{13}{16}$  inch. If a different spacing is required, source appropriate spacer blocks to achieve your desired slat spacing.

**Spacer blocks are NOT removed after inserting slats and remain as part of the assembled screen**

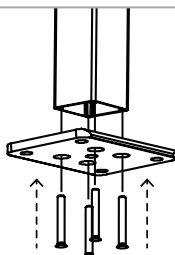


### STEP 6

Once all slats are in place, carefully attach top caps



### FINISHED!



### IMPORTANT INSTALL NOTE

- Use a square drive bit
- Screws are pre-lubricated
- Use a good quality drill
- Ensure screws are straight when screwing in

Tip: place top of post against a firm surface as pushing pressure required when affixing base plate