



MODULAR GARDEN BED[®]

48" X 36" WOOD-PLASTIC COMPOSITE GARDEN BED

INSTALL GUIDE

BEFORE YOU START

PRIOR TO ASSEMBLY

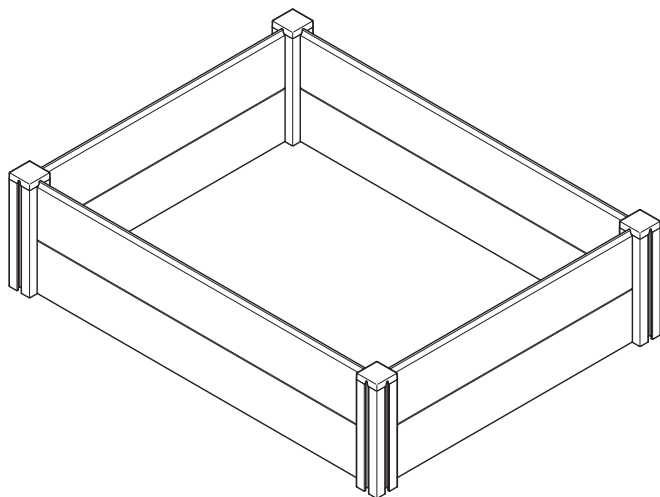
If you are installing a custom garden bed designs, please confirm you have all the extra pieces you need for the design. Carefully read this installation guide to familiarise yourself with all the steps involved before beginning installation.

LOCATION SELECTION

Choose a suitable location for the garden bed's installation. Measure the area to ensure there is at least 48" x 36" of space. If you have purchased extra kits and plan to create a custom design, please ensure you measure the full space required for your garden bed design. Make sure the location is on flat and level ground.

IMPORTANT NOTES

1. The garden bed will be difficult to move after assembly. Please choose your location carefully before beginning assembly



COMPONENTS

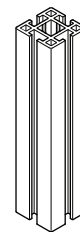
To ensure the installation of your Stratco Garden Bed proceeds smoothly you should confirm that all the components listed in this installation guide have been supplied.



Long Plank
x 4



Short Plank
x 4



Corner Post
x 4



Post Cap
x 4

ASSEMBLY

Slide the short planks into the corner posts to form the two ends of the garden bed as shown below (Figure 1).

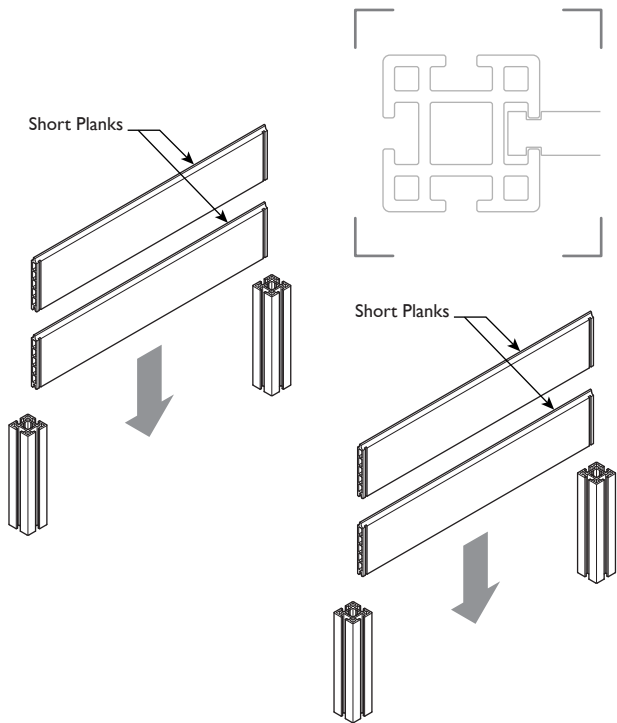


Figure 1

Place the two short ends in position where the garden bed will be installed. After this step it will be difficult to move the garden bed so ensure the bed is in the desired position. Slide the long planks into the corner posts as shown below (Figure 2).

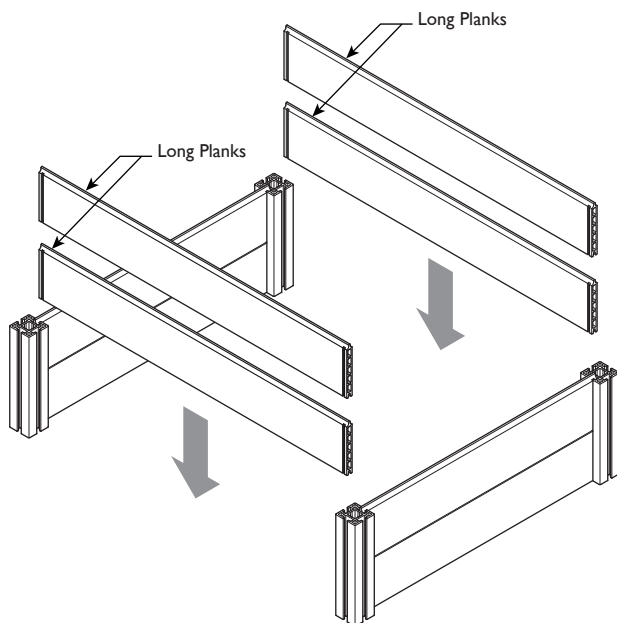


Figure 2

Insert the four caps into the top of the corner posts as shown (Figure 3). If you have purchased extra Garden Bed kits to create a custom design, install extra planks and posts before inserting the caps.

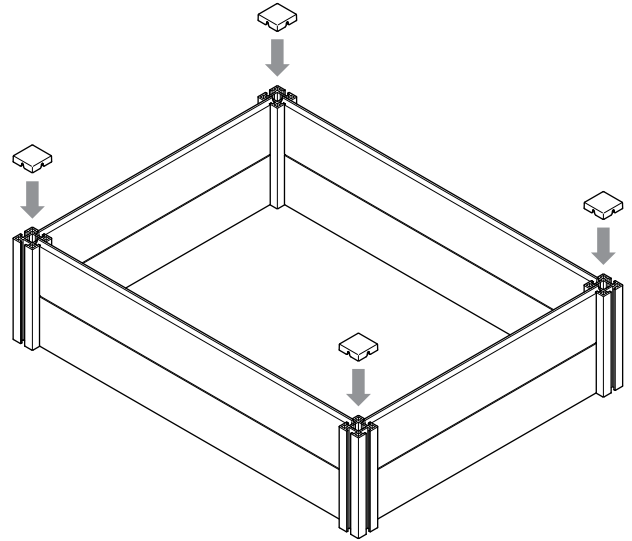


Figure 3

Your Stratco Modular Garden Bed is now assembled (Figure 4). Move the garden bed into position before filling with soil. A single Stratco Modular garden bed will hold approximately 10 cu. ft. of soil.

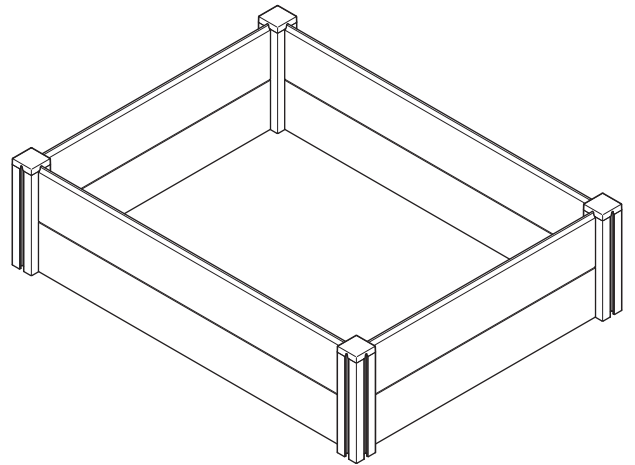


Figure 4