



XPRESS Vertical battens

PATENTED NO WELD SYSTEM!

2000mm wide x 1200mm high

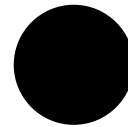
EASY TO ASSEMBLE & ADJUST SIZE

COMPLETE POWDER COATED ALUMINIUM KIT IN A BOX

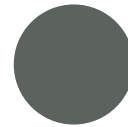


**ARCHITECTURAL DESIGN
DIY FRIENDLY!**

BOX KIT POWDER COATED ALUMINIUM FINISHES



Black
Code: SC-10511



Woodland grey
Code: SC-10510



Monument
Code: SC-1051

IDEAL BETWEEN POSTS & WALLS/PILLARS

COMPLETE SYSTEM IN A BOX:

17mm front profile x 65mm deep battens. With an 89mm spacing between battens (18x battens with top caps & 2x 2000mm wide 45x45mm horizontal rails + fixing screws included in kit - shrouds sold separately)

WIDTH + HEIGHT ADJUSTABLE

Simply cut to desired size if required

ON TREND DESIGN

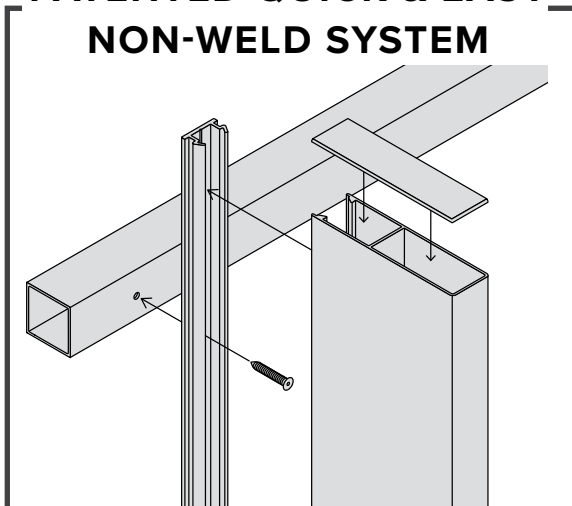
Slimline front batten profile provides a neat and clean finish with no visible fixings

QUICK & EASY NON-WELD ASSEMBLY

It's as easy as screwing pre-drilled inner clips and horizontal rails together then snapping battens on!

INSTRUCTIONS IN PACK

PATENTED QUICK & EASY NON-WELD SYSTEM



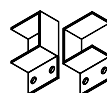
ACCESSORIES



50x50mm Post
Includes top cap
Powder coated Aluminium
Black
Code: HB-4628
Monument
Code: SC-10311
Woodland Grey
Code: HB-4630



65x65mm Post
Includes top cap
Powder coated Aluminium
Black
Code: SC-10516
Monument
Code: SC-10517
Woodland Grey
Code: SC-10518



Fencing Brackets
2 per pack
Powder coated Aluminium

Black Code: HB-4943 **Monument** Code: HB-4877 **Woodland Grey** Code: HB-4878



Vertical 65x17 Pool Compliance Kit
18 per pack
Powder coated Aluminium

Black Code: SC-10709 **Monument** Code: SC-1071 **Woodland Grey** Code: SC-10710

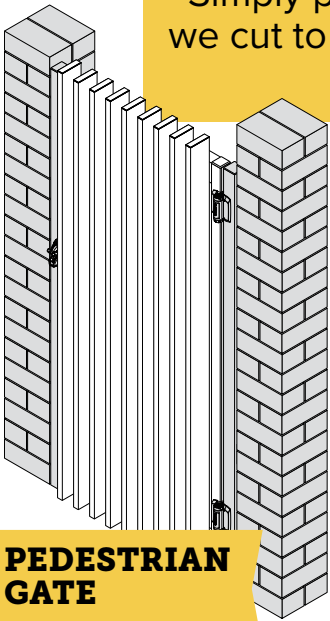
XPRESS Vertical battens

PATENTED NO WELD SYSTEM!

PEDESTRIAN & SLIDING GATES

Cut to size service

Simply provide your measurements and we cut to size and flat pack for quick and easy non-weld DIY assembly!

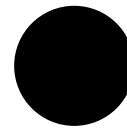


PEDESTRIAN GATE
UP TO 1500MM WIDE



SLIDING GATE
UP TO 6100MM WIDE*

POWDER COATED ALUMINIUM FINISHES



Black



Woodland grey



Monument

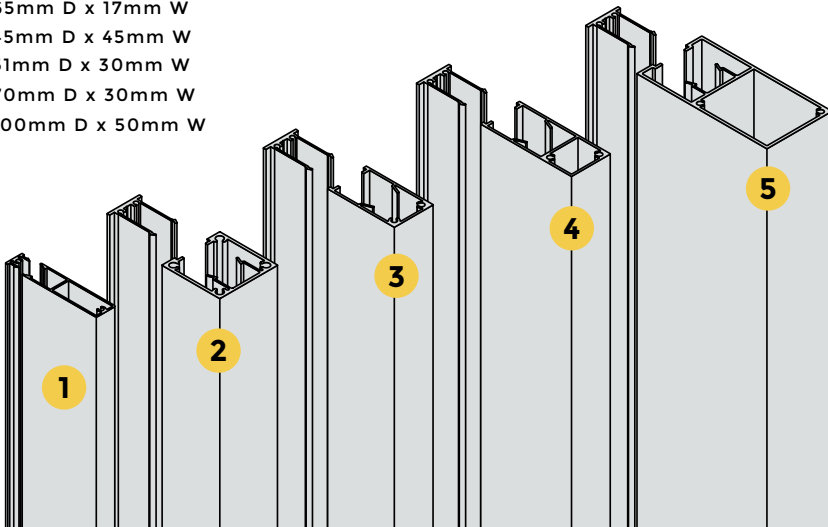
Complete System

- Sliding gate PLUS all accessories such as track and posts
- No welding required!
- Sliding gates up to 6100mm wide*

*Make size

BATTEN SIZES AVAILABLE

- 1 65mm D x 17mm W
- 2 45mm D x 45mm W
- 3 51mm D x 30mm W
- 4 70mm D x 30mm W
- 5 100mm D x 50mm W



FEATURES

- Patented no weld aluminium batten system
- Various batten sizes snap onto simple fixing clip
- Pedestrian gates up to 1500mm wide
- Sliding gates available up to 6100mm wide*
- Cut to size system with a quick and easy excel quote/order calculator
- Fast and easy install

*Make size

Easy to use order calculator

XPRESS Battens - Hinged Gates				Select Batten Size		Select Colour	
Batten Height (mm)	Batten Width (mm)	Actual Depth (mm)	Actual Width (mm)	Actual Depth (mm)	Actual Width (mm)	Actual Depth (mm)	Actual Width (mm)
65	17	45	45	Black	Black	Black	Black
45	45	45	45	Woodland grey	Woodland grey	Woodland grey	Woodland grey
51	30	45	45	Monument	Monument	Monument	Monument
70	30	45	45				
100	50	45	45				

Cut to Size - XPRESS Batten Sliding Gates - V1.4										Order Form		
XPRESS Battens - Sliding Gates		Select Batten Size		Select Colour								
Installation Type	Batten Height (mm)	Batten Width (mm)	Actual Depth (mm)	Actual Width (mm)	Actual Depth (mm)	Actual Width (mm)	Actual Depth (mm)	Actual Width (mm)	No. of Gates per Gate	Linear Meters of Gate Sides	Linear Meters of Gate Post	Approx. Weight (kg)
A. Sliding Gate	Select Height	Select Width	45	45	45	45	45	45				
B. Sliding Gate	Select Height	Select Width	45	45	45	45	45	45				
C. Sliding Gate	Select Height	Select Width	45	45	45	45	45	45				
D. Sliding Gate	Select Height	Select Width	45	45	45	45	45	45				
E. Sliding Gate	Select Height	Select Width	45	45	45	45	45	45				

XPRESS Vertical battens

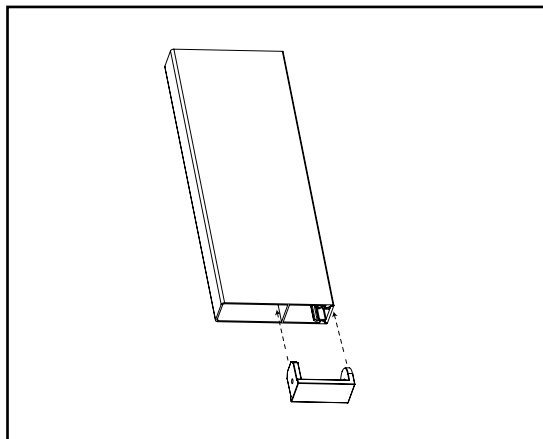
PATENTED NO WELD SYSTEM!

Batten in a Box Pool Compliance Kit Assembly Instructions

Contents:

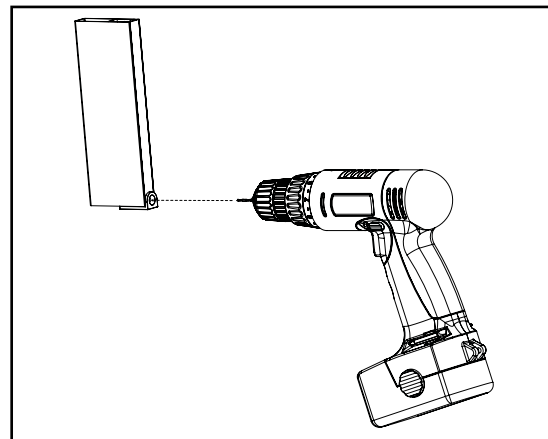
Batten Clip x 18pcs

Batten Clip Screws x 18pcs



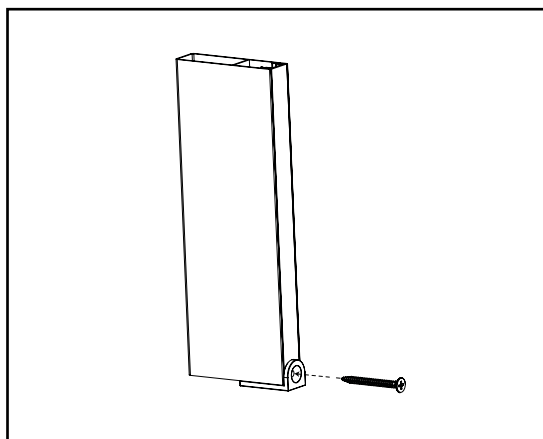
STEP 1

Insert batten clip into bottom of batten.



STEP 2

Drill 2mm pilot hole through batten fixture and internal batten rib.



STEP 3

Use self tapping screw to secure clip to batten.

