

## BEFORE YOU START

Prior to installation, choose a suitable location on flat ground for your Stratco Corrugated Garden Bed. Measure the area to ensure there is enough room. A minimum area of 40" x 28" is required.

To ensure the installation of your Garden Bed proceeds smoothly you should confirm that all components listed in this installation guide have been supplied. Carefully read this installation guide to familiarise yourself with the steps involved, and ensure that you have the correct tools and equipment for the job.

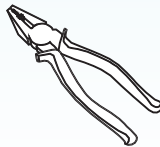
*NOTE: Use heavy gloves when handling steel sheeting and do not attempt installation in windy conditions.*

## TOOLS REQUIRED

Phillips Head Screwdriver



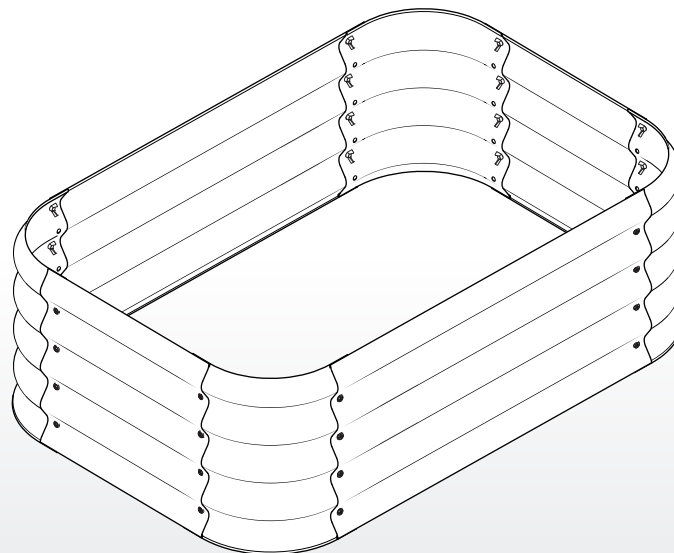
Pliers



Safety Gloves



Safety Glasses

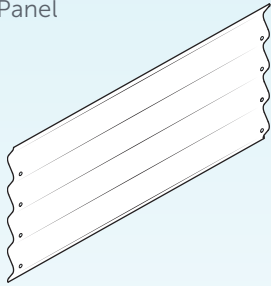


# STRATCO CORRUGATED GARDEN BED KIT

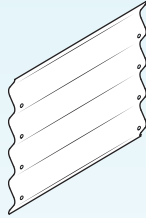
INSTALLATION GUIDE

## COMPONENTS

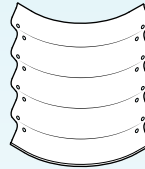
Long Panel  
x 2



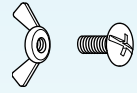
Short Panel  
x 2



Corner Angle  
x 4

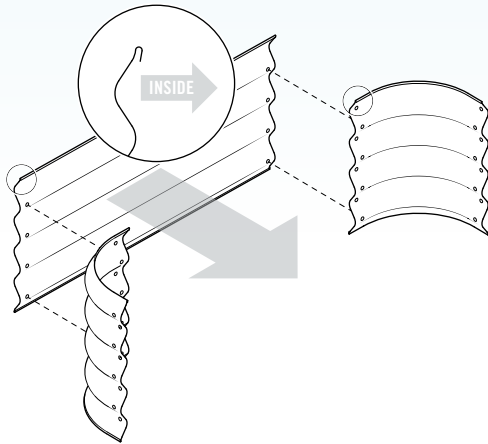


Wingnuts and  
Screws  
x 32



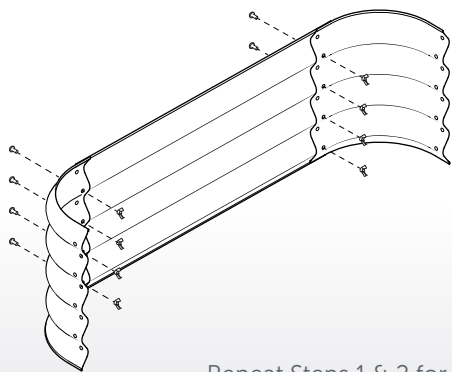
## ASSEMBLY

Note: Ensure safety edge on both panel and corner faces toward inside of garden bed. The corner piece may need to be flipped top to bottom to fit into the corrugations of the panel.



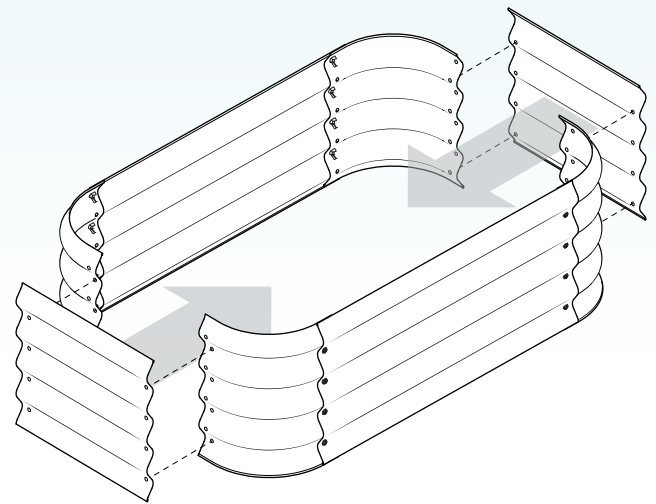
STEP 1

Note: Ensure Wingnuts are located on inside



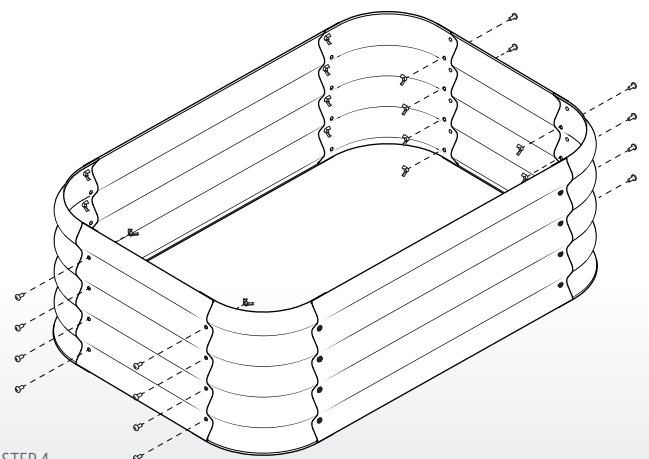
STEP 2

Repeat Steps 1 & 2 for two sides



STEP 3

Note: Ensure Wingnuts are located on inside



STEP 4

(407) 235-2243  
stratcousa.com

All brands and logos/images accompanied by ® or ™ are trade marks of Stratco (Australia) Pty Limited. © Copyright September 2018

How To.

**STRATCO**