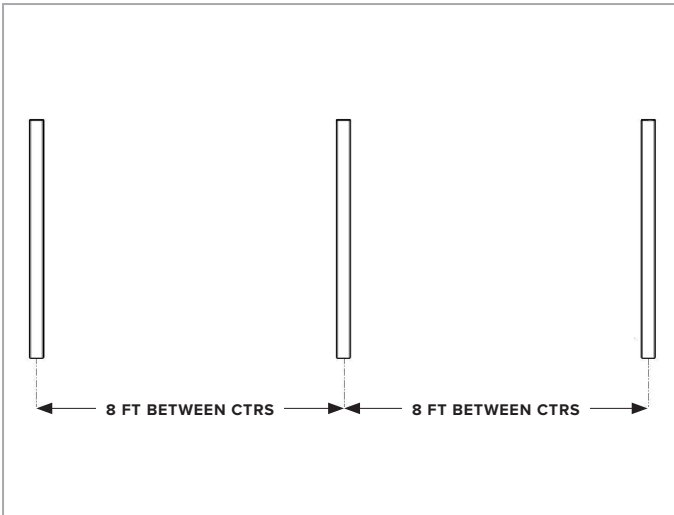


TOOLS REQUIRED FOR INSTALLATION

- METAL TAPE MEASURE
- SPIRIT LEVEL
- PHILLIPS HEAD SCREWDRIVER BIT (FOR DRILL)
- CARPENTERS PENCIL
- POWER AND/OR CORDLESS DRILL
- TIMBER, MASONRY OR STEEL DRILL BITS (AS NEEDED)
- DROP SAW WITH SUITABLE BLADE FOR CUTTING ALUMINIUM (IF ADJUSTING HEIGHT OR WIDTH)



STEP 1 A) INLINE POST INSTALLATION

Set out posts and allow 8 feet* from center to center, making sure that all posts are plumb in all directions.

**When using 7' 11" (2415mm) wide slat packs*

Installation tip: Panel width may be adjusted by cutting slats using appropriate aluminium cutting blade.

FORMULA:

Adjusted slat width = Center to center of post MINUS 1" (25mm)



STEP 1 B) CORNER POST INSTALLATION

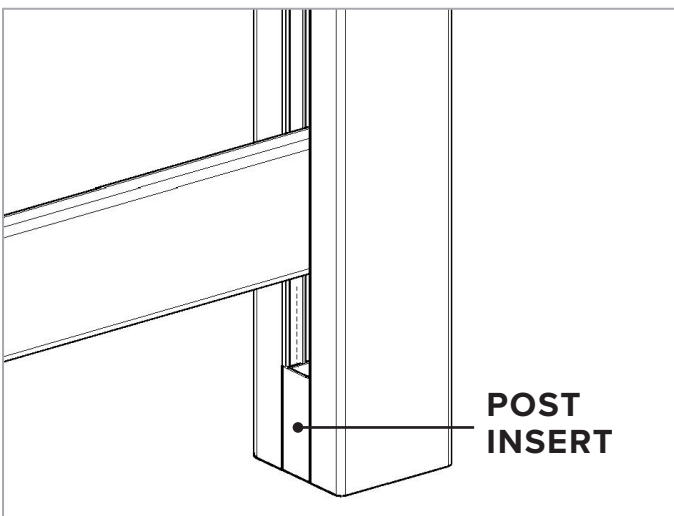
For corner post with side frame attached, allow 8 feet 1 3/8 inches center to center.

**When using 7' 11" (2415mm) wide slat packs*

Installation tip: Panel width may be adjusted by cutting slats using appropriate aluminium cutting blade.

FORMULA:

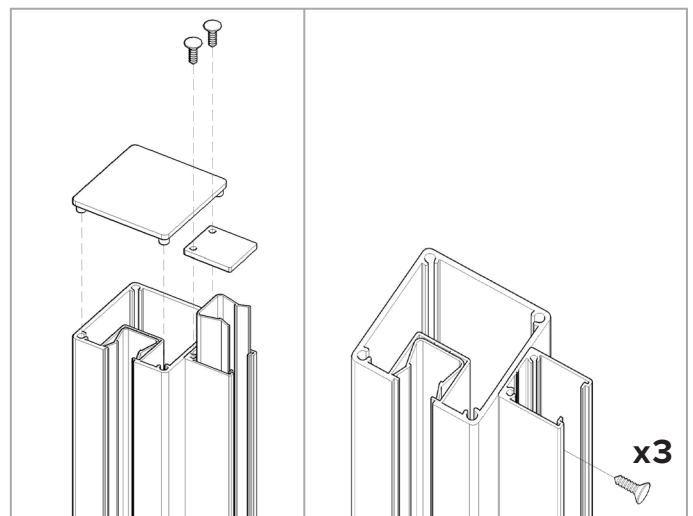
Adjusted slat width = Center to center of post MINUS 2 1/4" (58mm)



STEP 2

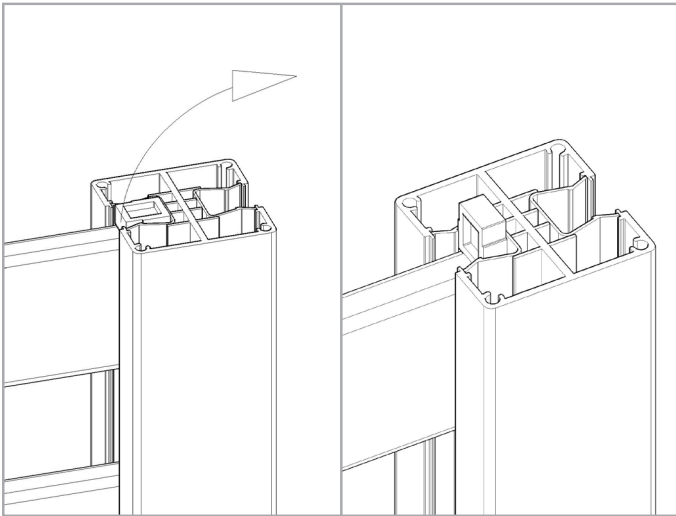
If setting the posts in the ground, place posts approximately a depth of 2 feet (**Height of post can be cut to desired height using appropriate cutting blade**).

Adjust the post insert to the height that you want the first slat to be off the ground before filling the post hole.



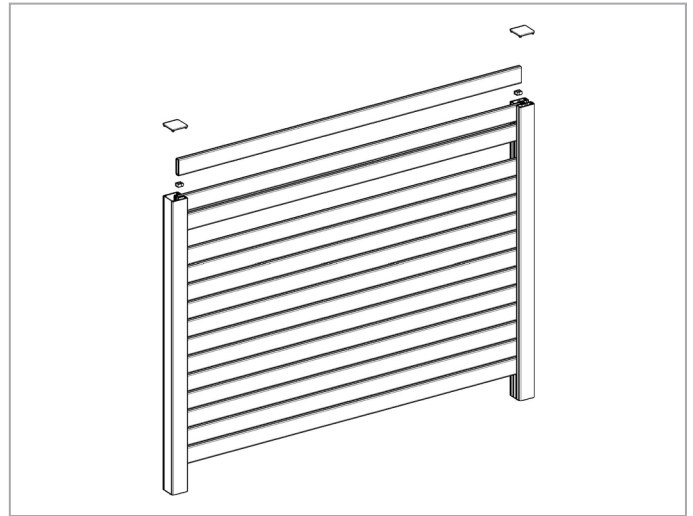
STEP 3

For the corner post, it is necessary to attach the side frame as shown. First, remove the end caps, followed by the inner u channel then attach the outer u channel to the post with the 3 wafer head screws supplied (affix at top, middle and bottom of channel).



STEP 4

For $\frac{3}{8}$ inch spacing, lay the spacer block flat. For $\frac{13}{16}$ inch spacing, stand the spacer block on its end.



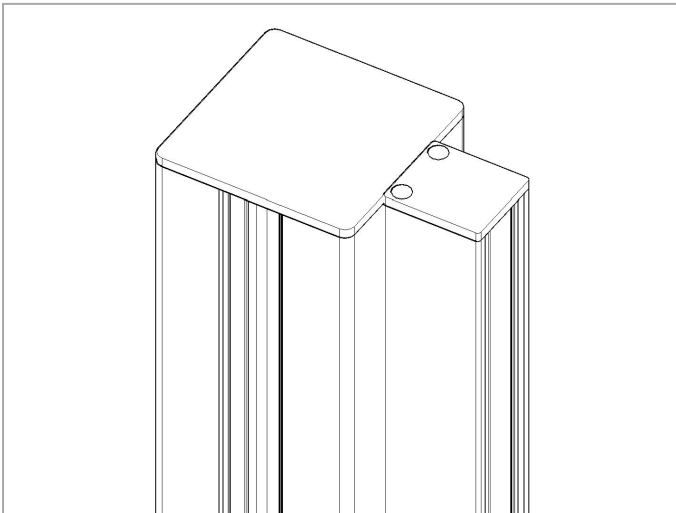
STEP 5

Push slats down into side frame ensuring spacer blocks are placed between each slat.

Install tip: Place spacer block on bottom plate before pushing first slat down so that first slat sits on a spacer block.

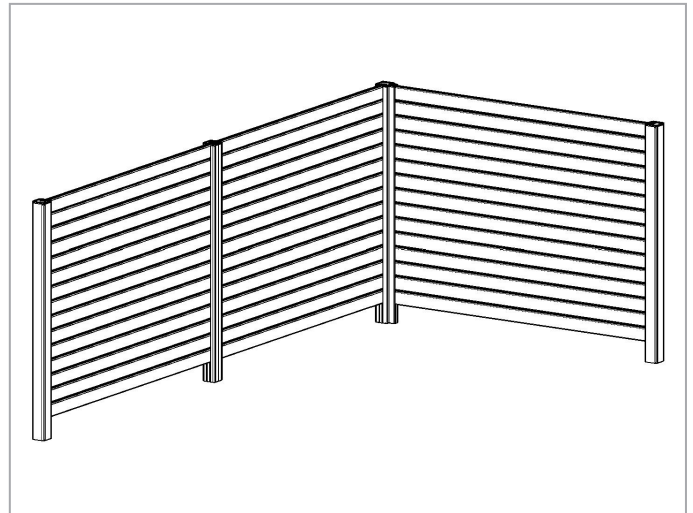
Spacer blocks supplied in kit allow slat spacing of $\frac{3}{8}$ inch or $\frac{13}{16}$ inch. If a different spacing is required, source appropriate spacer blocks to achieve your desired slat spacing.

Spacer blocks are NOT removed after inserting slats and remain as part of the assembled screen



STEP 6

Once all slats are in place, carefully attach top caps



FINISHED!